

## AT-AR220E, Cable/DSL Broadband Router

AT-AR220E, Cable/DSL Broadband router

### KEY FEATURES

See Feature Summary Pg. 3

#### ENJOY THE BENEFITS OF HIGH SPEED INTERNET ACCESS IN THE HOME & OFFICE LAN

The Allied Telesyn AT-AR220E is the perfect solution for the home or small office that wants to use high speed, "always on" DSL and Cable services to access the Internet. DSL and Cable services offer speeds up to 200 times faster than 56kbps modems. Take advantage of high speed DSL/cable connections to provide video-streaming, video-conferencing and new multimedia applications. High base functionality and simple upgradeability make it the ideal choice for homes and businesses wanting to exploit the benefits of high speed networking services.

**INTEGRAL 4 PORT FAST ETHERNET SWITCH**  
Build high-speed LAN backbones at home or in the office using the integral 4 port 10/100Mbps, auto-sensing, Ethernet switch. A simple push-button up-link port provides cascading to additional hubs or switches to further increase the number of users.

#### EASY TO SET-UP

Installation takes a matter of minutes using the intuitive, browser-based interface. Simply point any standard browser at the default IP address of the AT-AR220E and get started. Standard Ethernet cables connect the AT-AR220E to LAN users and the Cable/xDSL modem – that's it. No configuration or reconfiguration of any PC application is required. All TCP/IP operating systems are supported including Windows 95/98/NT, Unix and MAC. An integral DHCP server provides automatic IP address assignment to all PC's on the LAN, while both static and dynamic IP address assignment from the Internet Service Provider is supported. Some service providers use PPP over Ethernet (PPPoE) as a way of automatically assigning user IP addresses instead of DHCP. The AT-AR220E supports both DHCP and PPPoE.

#### FIREWALL SECURITY

Cable and DSL modems do not provide any firewall protection, and because they offer an "always-on" connection, users are actually more at risk using these services than with conventional modem dial-up. However, by simply connecting the AT-AR220E between the cable or xDSL modem and the private LAN, the AT-AR220E provides a powerful Network Address Translation (NAT) Firewall that "hides" all LAN users behind one public IP address, hence protecting LAN users from attack.



#### CONTROLLED INTERNET ACCESS

It is sometimes desirable to restrict Internet access or to block specific services or applications. The AT-AR220E uses packet filtering based on destination IP address to block access to specified sites. Packet filtering can also be based on the IP port number. Different services such as E-mail, WWW and FTP use standard port numbers to communicate. By filtering all packets destined for a specified port number, the network administrator can, for example, deny all LAN users access to SMTP/POP3 Internet E-mail services, while allowing all users to access WWW/HTTP services.

#### UP TO 253 LAN USERS CAN SHARE ONE LINE & ONE IP ADDRESS

- The AT-AR220E supports up to 253 LAN-attached users – easily enough for a small office, while high speed cable and ADSL services mean that they can all share a single line and still have plenty of performance.
- Network Address Translation (NAT) allows 253 users to share one Internet IP address for low-cost Internet access.

#### FLASH SOFTWARE UPDATE

- The AT-AR220E can be upgraded simply by loading new firmware into Flash memory using Trivial File Transfer protocol (TFTP), new enhancements can be e-mailed to a user site then loaded into the unit with TFTP.

#### IPSEC & ISAKMP PASS-THROUGH FOR SECURE VPN OPERATION

- The AT-AR220E provides transparent pass-through for IPsec and ISAKMP protocols, allowing attached LAN users to implement secure Virtual Private Network (VPN) client applications on their PCs.

#### VIRTUAL SERVER SUPPORT

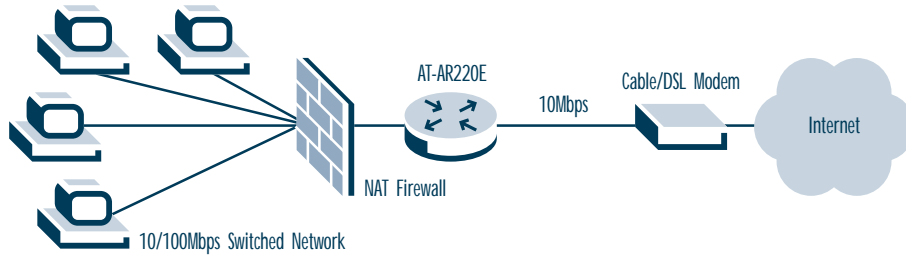
- This feature allows servers on the LAN (e.g a Web server or e-mail server) to be accessible to users on the Internet - even through the NAT Firewall, which normally rejects all inbound connections by default.

#### DNS PROXY SUPPORT

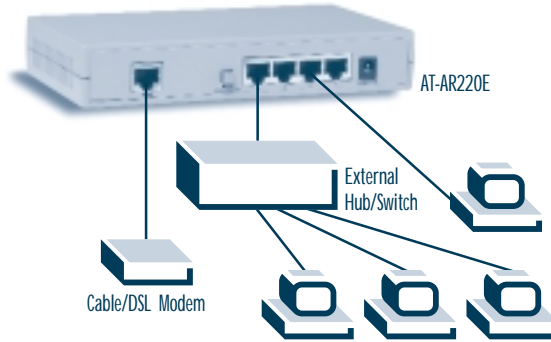
- The AT-AR220E can act as a proxy DNS server to all LAN users, this greatly simplifies user PC setup as the proxy DNS address is always the same (i.e the AT-AR220E address) and does not change even if a different ISP or external DNS server is used.

# AT-AR220E, Cable/DSL Broadband Router

## HOME/OFFICE LAN



In the diagram above, all LAN users share a single high-speed DSL or Cable modem link. They are protected by the NAT firewall which hides all LAN users behind a single IP address, protecting the LAN from external attack.



Application showing up-link connection to external hub/switch for increased user support. External MDI/MDX switch controls hub/PC port operation.

# AT-AR220E, Cable/DSL Broadband Router

## POWER CHARACTERISTICS

External 12vDC, 1.2A

## PHYSICAL CHARACTERISTICS

Dimensions 177mm x 103mm x 31mm

## ENVIRONMENTAL CHARACTERISTICS

Operating Temp. 0°C to 40°C  
Storage Temp. -20°C to 70°C  
Relative Humidity 10% to 90%

## ELECTRICAL/MECHANICAL APPROVALS

CE  
EN 60950 (Safety Europe)  
FCC Part 15 Class B, Part 68 (Emissions)  
UL 1950 (Safety US)  
EN 55022 Class B (Immunity)

## FEATURE SUMMARY

WAN Port 10Mbps	1 x RJ-45
LAN Ports 10/100Mbps	4 x RJ-45
UTP Network Protocols	TCP/IP, DHCP, DNS, NAT, TFTP, HTTP, PPPoE
Number of LAN users	253
Internet access controls (filtering)	yes
Browser-based configuration	yes
Network Address Translation (NAT)	yes
Dynamic Host Configuration Protocol (DHCP)	yes
External MDI/MDX switch	yes
Up-link port	yes
IPSEC & ISAKMP Pass-through	yes
Virtual Server support	yes
DNS Proxy	yes
Static IP address assignment	yes
Dynamic IP address assignment	yes
Status LEDs	Power/self-test LAN/WAN link & Activity

## ORDERING INFORMATION

**AT-AR220E** 910-11579-xx  
Cable/DSL Broadband Router

Where xx = 10 (US mains lead)  
30 (UK mains lead)  
40 (APAC mains lead)  
50 (Euro mains lead)

**Product Range:** Allied Telesyn's long-term focus on price/performance networking has made it a market-leading provider of LAN, WAN and MAN network systems. Advanced Layer 3 switch and router technology perfectly complements its traditional Layer 2 switch, hub, adapter card and media conversion capabilities.

**USA Corporate Headquarters:** 19800 North Creek Pkwy, Suite 200, Bothell, WA 98011, USA • Tel: 800.424.4284 • Fax: 425.481.3895

**European Headquarters:** Kon. Wilhelminaplein 13/2.10.03, 1062 HH Amsterdam, Netherlands • Tel: +31 20-346 07 00 • Fax: +31 20-346 07 10

[www.alliedtelesyn.com](http://www.alliedtelesyn.com)

© 2001 Allied Telesyn International Corp. All rights reserved. Information in this document is subject to change without notice.  
All company names, logos, and product designs that are trademarks or registered trademarks are the property of their respective owners.

617-00353-00 Rev. A

 **Allied Telesyn**  
Simply connecting the IP world